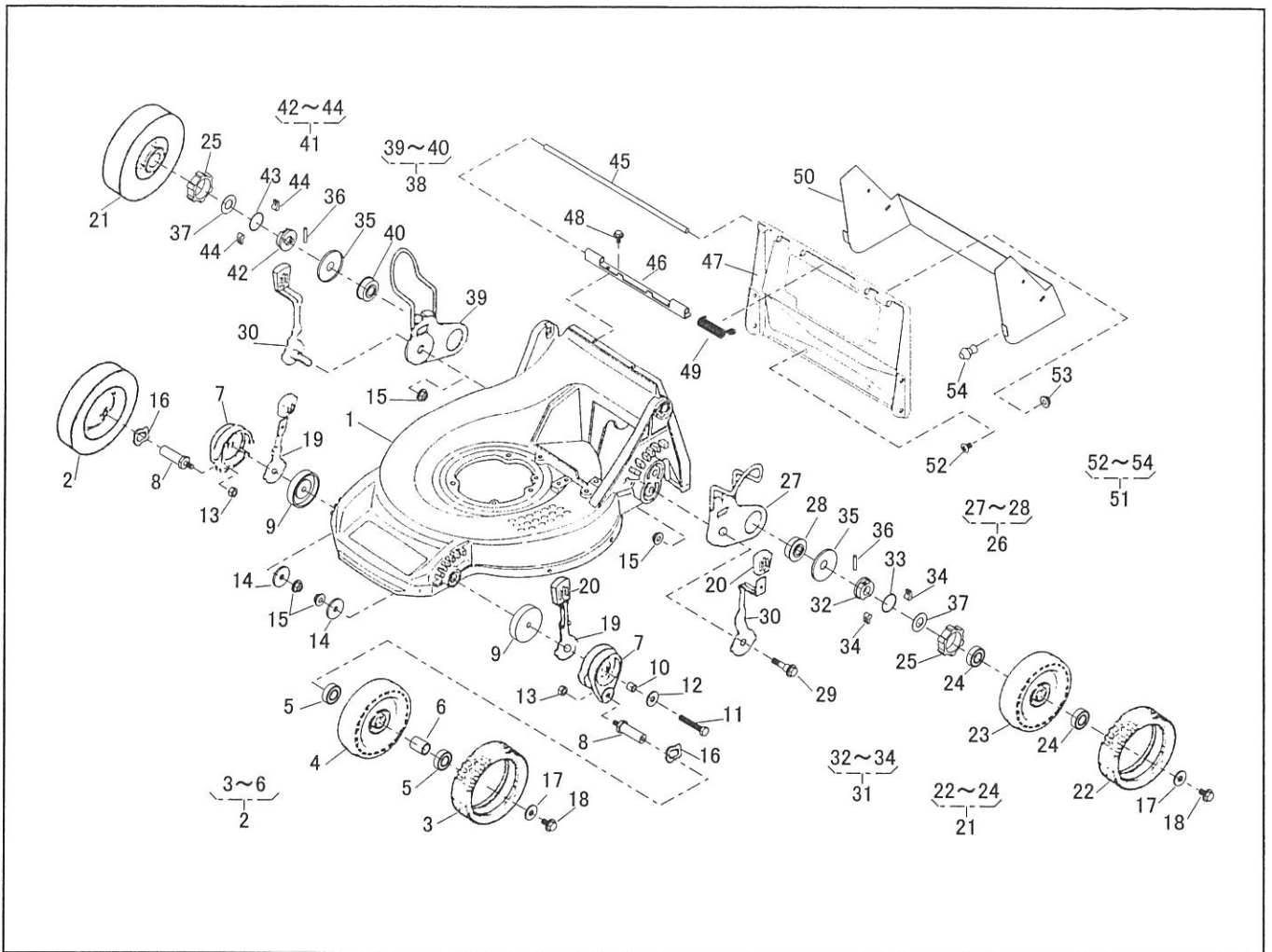


## PARTS LIST

### MODEL : LM5360KXA (KAAZ)

46014-137

REF. No.	PARTS No.			PARTS NAME	AI-WHEEL		1/2		REMARKS
					Q'TY INCLUDING	PRICE( )	RECOMM.(%) Lot.100		
1	51043	136	42	HOUSING	1		3		
2	71041	135		WHEEL ASSY(A.W.)	2		3		
3	91086	113		TIRE	2		15		
4				WHEEL	2		-		
5				BEARING	4		-		
6				COLLAR	2		-		
7	11142	122		ADJUSTER	2		3		
8	64014	332		SHAFT	2		3		
9	11102	221		HOLDER	2		3		
10	11083	312		COLLAR	2		3		
11	311L	0850		HEXAGON BOLT	2		10		M8 x 50
12	68036	101		WASHER	2		3		
13									
14	68036	112		WASHER	2		3		
15	569L	0800		FLANGE NYLON NUT	4		10		M8
16	664V	0016		WAVE SPRING WASHER	2		5		
17	68036	101		WASHER	4		3		
18	31057	181		HEXAGON BOLT	4		3		
19	11150	101	09	ADJUST LEVER	2		5		
20	36061	121		KNOB	4		3		
21	71041	136		WHEEL ASSY(A.W.)	2		3		
22	91086	113		TIRE	2		15		
23				WHEEL	2		-		
24				BEARING	4		-		
25	11086	119		STOPPER	2		3		
26	71122	101		ADJUSTER ASSY(L)	1		-		
27	11142	104		ADJUSTER	1		3		



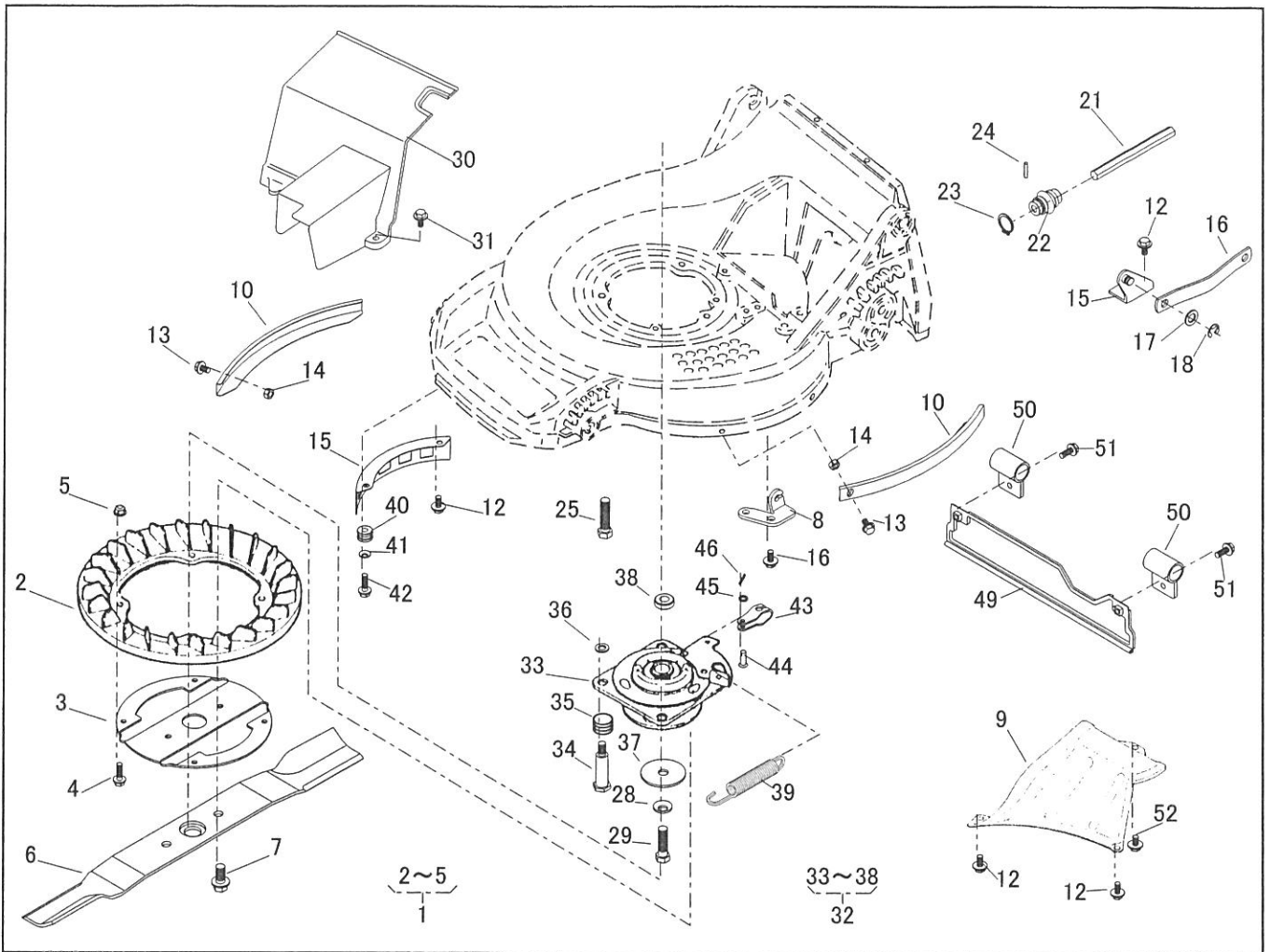
## PARTS LIST

MODEL : LM5360KXA (KAAZ)

46014-137

REF. No.	PARTS No.		PARTS NAME	AI-WHEEL		PRICE( )	RECOMM.(%) Lot.100	REMARKS
				Q'TY	INCLUDING			
28	945L	0349	BEARING	1			10	
29	31057	132	HEXAGON BOLT	2			5	
30	11150	102 09	ADJUST LEVER	2			5	
31	71158	102	RATCHET ASSY(L)	1			-	
32	11102	138	HOLDER	1			3	
33	68013	266	SPRING	1			5	
34	31034	170	PIN	2			3	
35	61003	112	THRUST PLATE	2			10	
36	31034	137	PIN	2			10	
37	68036	146	WASHER	2			3	
38	71122	102	ADJUSTER ASSY(R)	1			-	
39	11142	105	ADJUSTER	1			3	
40	945L	0349	BEARING	1			10	
41	71158	101	RATCHET ASSY(R)	1			3	
42	11102	138	HOLDER	1			3	
43	68013	266	SPRING	1			5	
44	31034	170	PIN	2			3	
45	64014	234	SHAFT	1			3	
46	11113	292	STAY	1			3	
47	36068	171 46	GUARD	1			3	
48	342J	0612	FLANGE BOLT TAPPING	2			3	M6 × 12
49	68013	336	SPRING	1			3	
50	36065	298 09	COVER	1			3	
51	71137	194	BOLT AND NUT SET	1			-	
52	376L	0508	(+)TRUSS SCREW	6			3	M5 × 8
53	579L	0500	FLANGE NUT	6			3	M5
54	36006	113	ABSORBER	2			10	



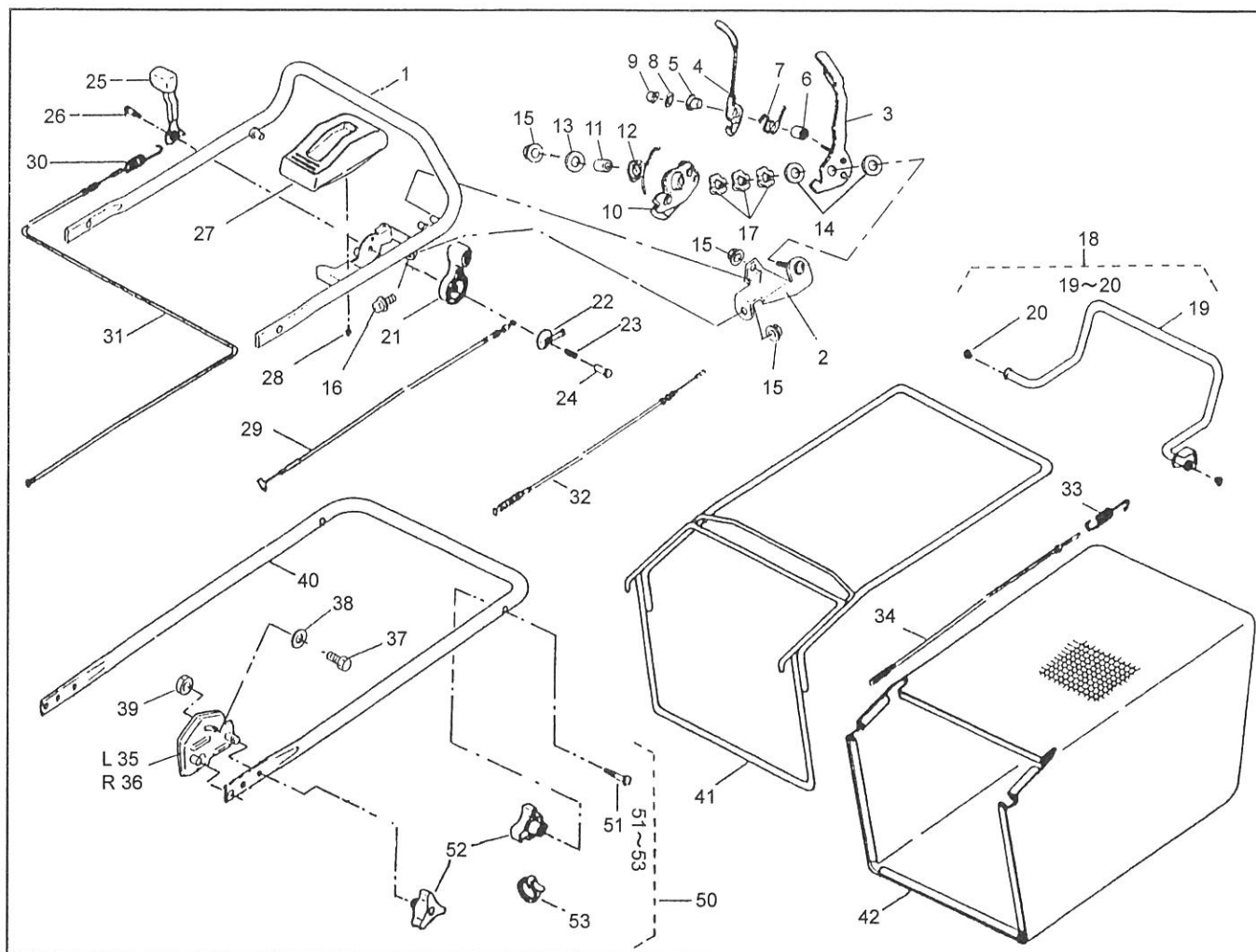


## PARTS LIST

MODEL : LM5360KXA (KAAZ)

46014-137

REF. No.	PARTS No.		PARTS NAME	GRASS-CUTTING			2/2		RECOMM.(%) Lot.100	REMARKS
				Q'TY	PRICE( )					
				INCLUDING						
28	671V	1000	CONICAL SPRING WASHER	1				3	M10	
29	31057	182	HEXAGON BOLT	1				3		
30	36065	397	COVER	1				3		
31	342L	0616	FLANGE BOLT TAPPING	1				3	M6 × 16	
32	70082	108	BRAKE SET	1				-		
33	71067	110	BRAKE ASSY	1				3		
34	L5129	4700	BOLT	4				5		
35	68013	320	SPRING	4				3		
36	661L	0800	WASHER	4				5	M8	
37	L0574	9600	WASHER	1				3		
38	61024	149	SPACER	1				3		
39	68013	355	SPRING	1				3		
40	11083	270	COLLOR	1				3		
41	671V	0600	CONICAL SPRING WASHER	1				3	M6	
42	342J	0620	FLANGE BOLT TAPPING	1				3	M6 × 20	
43	68055	151	JOINT	1				3		
44	31056	125	GIB-HEADED PIN	1				3		
45	68036	137	WASHER	1				5		
46	726L	0216	SPLIT PIN	1				3	φ2 × 16	
47										
48										
49	36046	118	SAFETY GUARD	1				3		
50	11012	126	HANGER BAND	2				3		
51	335L	0616	FLANGE BOLT	2				15	M6 × 16	
52	342J	0610	FLANGE BOLT TAPPING	1				3	M6 × 10	



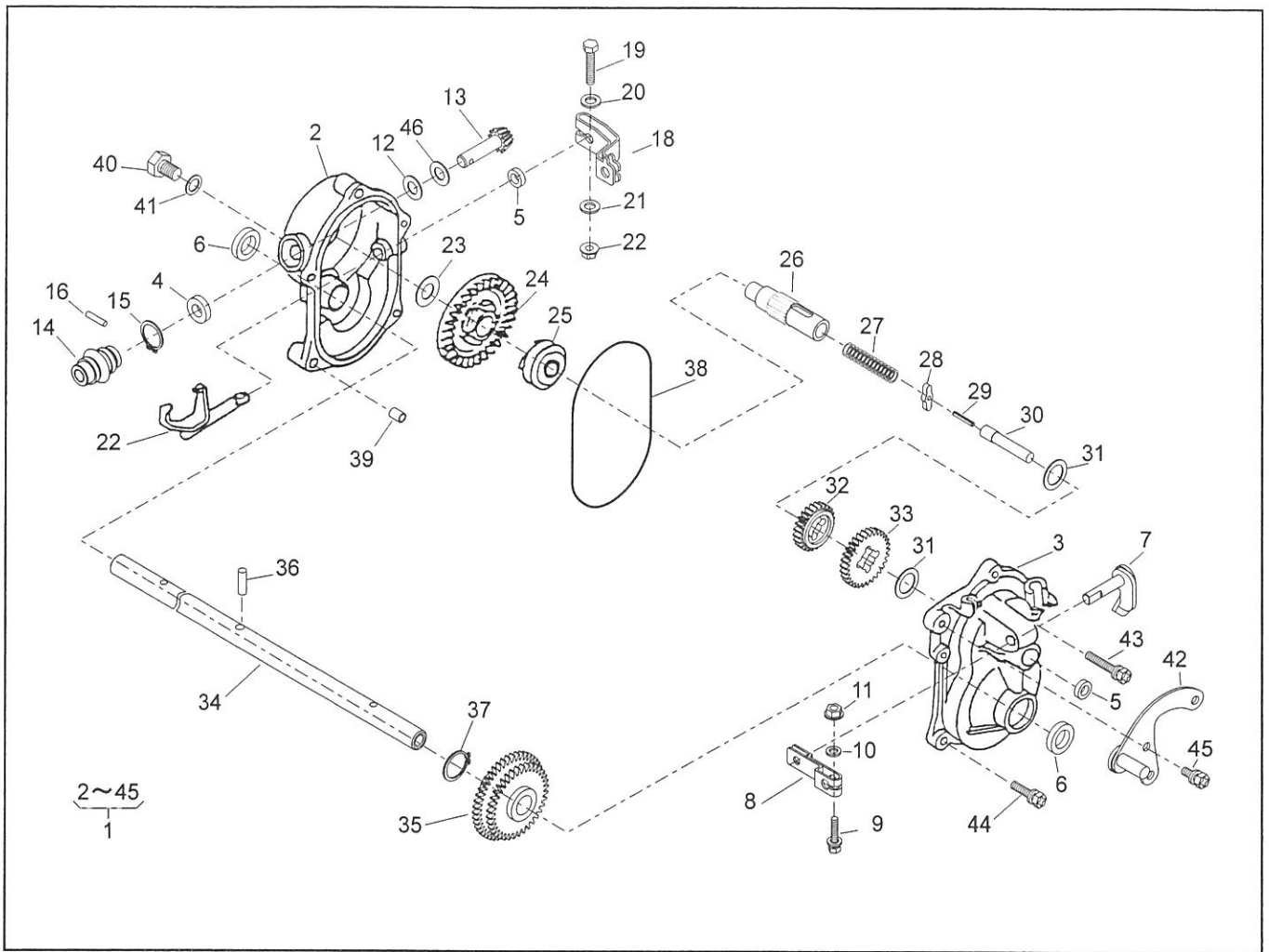
## PARTS LIST

MODEL : LM5360KXA (KAAZ)

46014-137

REF. No.	PARTS No.	PARTS NAME	HANDLE		PRICE( )	1/2		REMARKS
			Q'TY INCLUDING			RECOMM.(%) Lot.100	Jan.26,2003	
1	51027 242	HANDLE	1			3		
2	11113 396 09	STAY	1			5		
3	11095 160 09	LEVER	1			10		
4	11095 161 09	LEVER	1			10		
5	76007 131	BUSH	1			10		
6	61024 206	SPACER	1			5		
7	68013 334	SPRING	1			5		
8	68036 198	WASHER	1			3		
9	563L 0600	U-HEXAGON CAP NUT	1			5		M6
10	11109 108	LINK	1			5		
11	61024 207	SPACER	1			10		
12	68013 335	SPRING	1			10		
13	68036 262	WASHER	1			5		
14	68036 200	WASHER	2			5		
15	569L 0800	FLANGE NYLON NUT	3			5		M8
16	335L 0820	FLANGE BOLT	1			3		M8×20
17	664J 1600	WAVE SPRING WASHER	3			3		M16
18	71161 111 09	LEVER ASSY	1			-		
19		LEVER		1		-		
20	76007 131	BUSH		2		15		
21	91010 147	THROTTLE LEVER	1			10		
22	61003 113	THRUST PLATE	1			5		
23	68013 356	SPRING	1			3		
24	31058 168	HEXAGON NUT	1			3		
25	11095 117	LEVER	1			3		
26	31062 109	PRE-COAT LOCK BOLT	1			5		
27	71900 794	COVER ASSY	1			3		





## PARTS LIST

MODEL : LM5360KXA (KAAZ)

46014-137

REF. No.	PARTS No.		PARTS NAME	GEAR CASE		PRICE( )	1/2		REMARKS
				Q'TY INCLUDING			RECOMM.(%) Lot.100	Jan.25,2003	
1	71008	343	GEAR CASE ASSY	1			-		
2	51001	195	GEAR CASE	1			3		
3	51001	196	GEAR CASE	1			3		
4	61002	161	OIL SEAL	1			5		SD 10 20 5
5	61002	162	OIL SEAL	2			5		SD 8 14 4
6	61002	163	OIL SEAL	2			5		SD 15 24 5
7	64024	104	THIFTER SHAFT	1			3		
8	11104	119	ARM	1			3		
9	320L	0525	HEXAGON BOLT(PW)	1			3		M5×25
10	611L	0500	PLAIN WASHER	1			3		M5
11	571L	0500	FLANGE NUT	1			3		M5
12	61003	109	THRUST PLATE	1			5		
13	78003	111	PINION	1			3		
14	91097	101	UNIVERSAL JOINT	1			3		
15	812V	2000	C-SNAP RING FOR SHAFT		1		1		φ20
16	717B	0418	PARALLEL PIN		1		3		φ4×18
17	11097	106	SHIFTER FORK	1			3		
18	11104	137	ARM	1			3		
19	311M	0630	(+)HEXAGON BOLT	1			3		M6×30
20	611L	0600	PLAIN WASHER	1			3		M6
21	613L	0600	PLAIN WASHER	1			3		M6
22	571L	0600	FLANGE NUT	1			3		M6
23	61024	117	SPACER	1			5		
24	78001	136	BEVEL GEAR	1			3		
25	11129	107	CLUTCH	1			3		
26	64014	236	SHAFT	1			3		
27	68013	262	SPRING	1			3		

